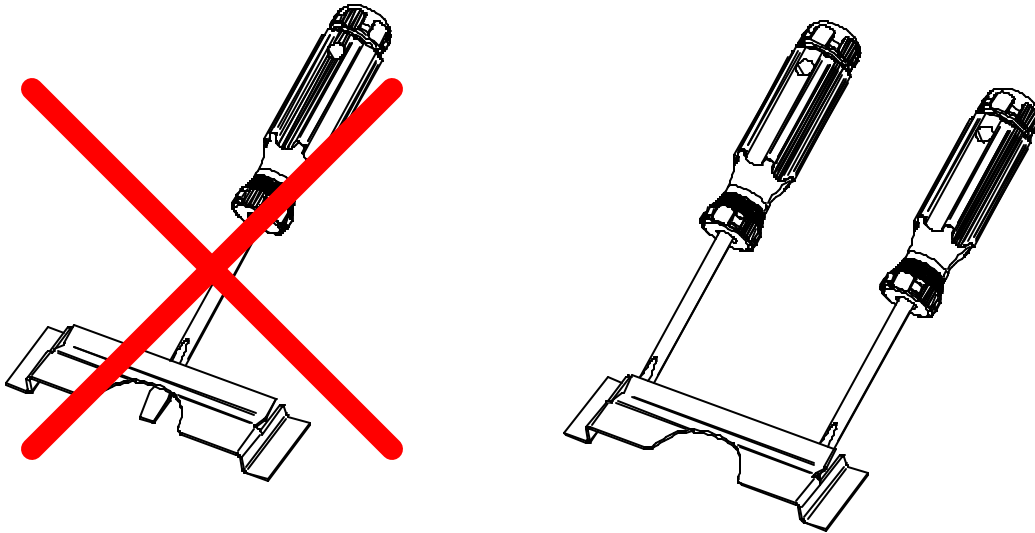
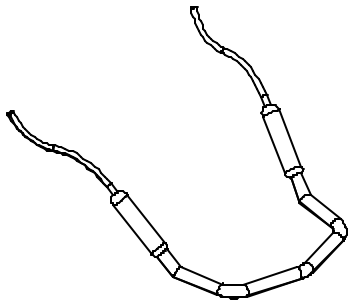


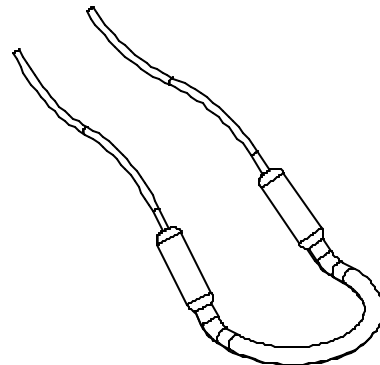
# Heater Installation Instruction



Remove your old style heater before adjusting the heater bracket to fit the new style heater. To adjust the heater bracket take a screw driver or something similar and lightly pry the dropped clamp lip on the outside edges of the bracket as shown above. The space after prying should be slightly less than  $3/8$ " to allow room for the larger heater. **DO NOT** pry the center of the bracket as that can open the bracket too far and cause stress on the spot weld. If you pry the bracket open too far the heater will fit loosely in the bracket. If this happens then remove the heater and push the lip back until the required space is found.



OLD STYLE HEATER

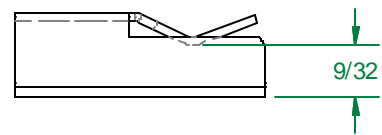


NEW STYLE HEATER



SPACE REQUIRED

$3/16$



SPACE REQUIRED

$9/32$